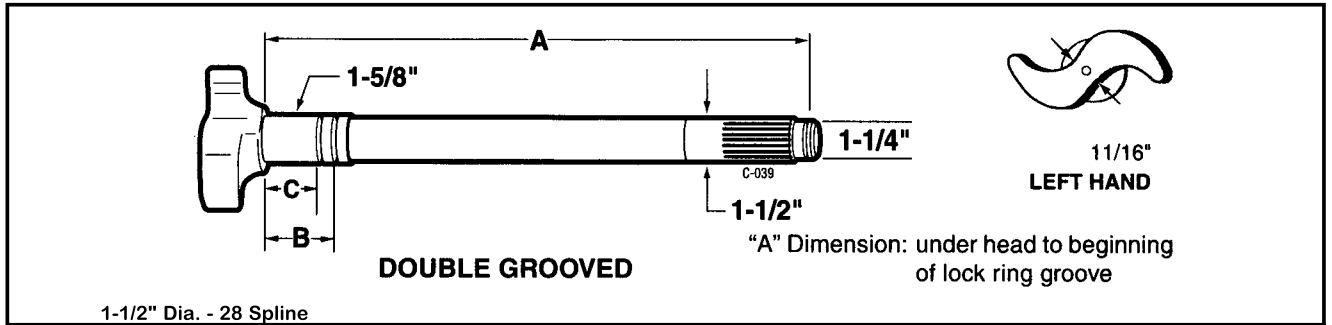


BRAKE CAMSHAFTS - TRAILER

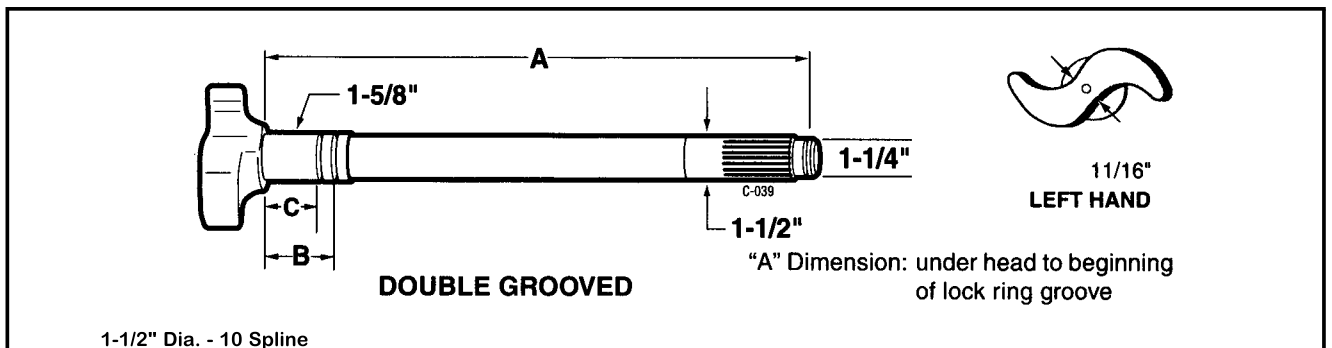
Spicer 12-1/4" "New" Head Design



1-1/2" Dia. - 28 Spline

LH	RH	A	B	C	NOTES	REPLACES			
C759L		23-3/16"	2-7/32"	2-21/32"	1-1/2" Journal	Batco	04-642322	Meritor	R607253
					BWP	M-3789L	Midland	CS41362	
					Camshaft Kits	Euclid	E-9759	Spicer	17-783
						Leland	L-3171		M12WKL20-233
	C760R				B8655 (Nylon)	Batco	04-642321	Meritor	R607254
					B8655Z (Bronze)	BWP	M-3789R	Midland	CS41363
						Euclid	E-9760	Spicer	17-782
						Leland	L-3170		M12WKR20-233
C905L		23-3/16"	2-7/32"	-	1-5/8" Journal	Batco	04-542322	Meritor	
					BWP	M-3796L	Midland		
					Camshaft Kits	Euclid	E-10905	Spicer	17-417
						Leland	L-3277		M12WKL25-233
	C906R				B8792	Batco	04-542321	Meritor	
						BWP	M-3796R	Midland	
						Euclid	E-10906	Spicer	17-416
						Leland	L-3276		M12WKR25-233

Spicer 16-1/2"



1-1/2" Dia. - 10 Spline

LH	RH	A	B	C	NOTES	REPLACES			
C217L		26-1/4"	2-7/32"	-		Batco	04-572632	Meritor	R607191
					BWP		Midland		
					Camshaft Kits	Euclid	E-7217	Spicer	17-591
						Leland			M16WKL10-264
	C218R				B8652	Batco	04-572631	Meritor	R607192
						BWP		Midland	
						Euclid	E-7218	Spicer	17-590
						Leland			M16WKR10-264
C219L		26-1/2"	2-7/32"	-		Batco	04-572652	Meritor	R607193
					BWP		Midland	CS41168	
					Camshaft Kits	Euclid	E-7219	Spicer	17-593
						Leland	L-3359		M16WKL10-266
	C220R				B8652	Batco	04-572651	Meritor	R607194
						BWP		Midland	CS41169
						Euclid	E-7220	Spicer	17-592
						Leland	L-3358		M16WKR10-266

Copyright 2005 Sirco Industries, Inc.