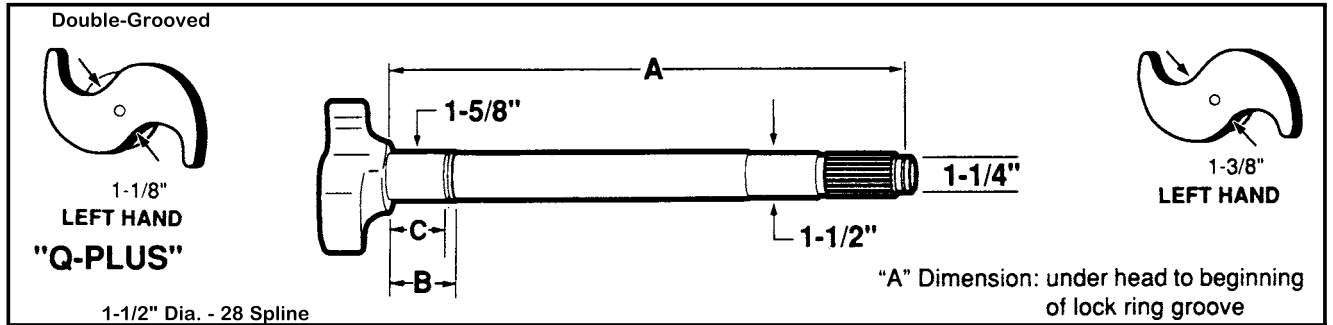


BRAKE CAMSHAFTS - TRAILER

Meritor 16-1/2" "Q" And "Q-Plus"



LH	RH	A	B	C	NOTES	REPLACES	
C091L		REPLACED BY C441BL			"Q"	Batco 04-911732	Meritor 2210V6574
		17-5/16"	2-5/64"	1-25/32"		BWP E-9091	Midland Spicer 17-657
					Camshaft Kits	Batco 04-911731	Meritor 2210U6573
	C092R	REPLACED BY C442BR			B8772M	BWP E-9092	Midland Spicer 17-656
					B8773M	Leland	
C867L		REPLACED BY C441BL			"Q-Plus"	Batco 04-931732	Meritor 2210C6867
		17-5/16"	2-5/64"	1-25/32"		BWP M-3170L	Midland Spicer 17-721
					Camshaft Kits	Euclid E-5506	
	C866R	REPLACED BY C442BR			B8772M	Leland L-3113	
					B8773M	Batco 04-931731	Meritor 2210B6866
						BWP M-3170R	Midland Spicer 17-720
						Euclid E-5507	
						Leland L-3112	
C087L		REPLACED BY C443BL			"Q"	Batco 04-912042	Meritor 2210P6594
		20-13/32"	2-5/64"	1-25/32"		BWP E-9093	Midland Spicer 17-659
					Camshaft Kits	Batco 04-912041	Meritor 2210N6592
	C088R	REPLACED BY C444BR			B8772M	BWP E-9094	Midland Spicer 17-658
					B8773M	Leland	
C871L		REPLACED BY C443BL			"Q-Plus"	Batco 04-932042	Meritor 2210G6871
		20-13/32"	2-5/64"	1-25/32"		BWP M-3171L	Midland Spicer 17-723
					Camshaft Kits	Euclid E-5508	
	C870R	REPLACED BY C444BR			B8772M	Leland L-3115	
					B8773M	Batco 04-932041	Meritor 2210F6870
						BWP M-3171R	Midland Spicer 17-722
						Euclid E-5509	
						Leland L-3114	
C081L		REPLACED BY C445BL			"Q"	Batco 04-912422	Meritor 2210X6576
		24-1/16"	2-5/64"	1-25/32"		BWP E-6081L	Midland Spicer 17-661
					Camshaft Kits	Batco 04-912421	Meritor 2210W6575
	C082R	REPLACED BY C446BR			B8772M	BWP E-6082R	Midland Spicer 17-660
					B8773M	Leland	
C868L		REPLACED BY C445BL			"Q-Plus"	Batco 04-932422	Meritor 2210E6869
		24-1/16"	2-5/64"	1-25/32"		BWP M-3172L	Midland Spicer 17-725
					Camshaft Kits	Euclid E-5510	
	C869R	REPLACED BY C446BR			B8772M	Leland L-3117	
					B8773M	Batco 04-932421	Meritor 2210D6868
						BWP M-3172R	Midland Spicer 17-724
						Euclid E-5511	
						Leland L-3116	