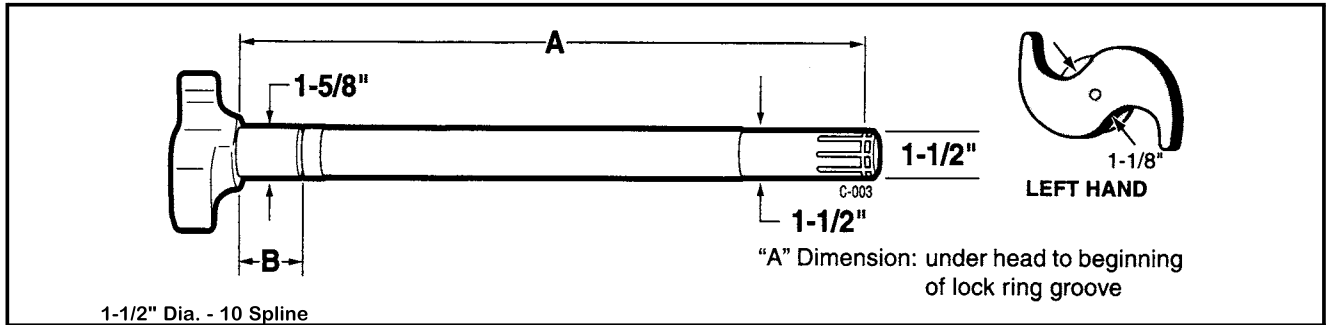


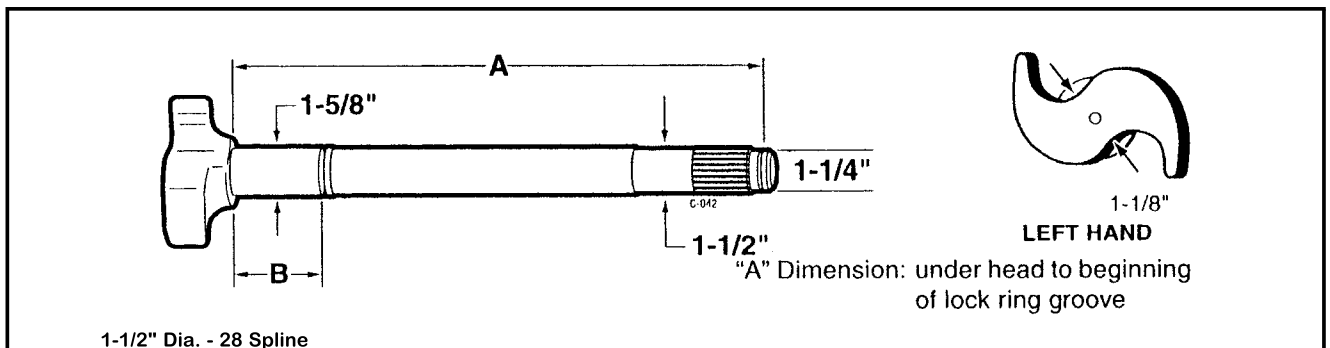
# BRAKE CAMSHAFTS - TRAILER

Eaton 16-1/2" "ES" Brakes



1-1/2" Dia. - 10 Spline

LH	RH	A	B	C	NOTES	REPLACES	
C494L		19-1/2"	17-3/16"	2-5/32"	"ES"	Batco 04-731942 BWP M-3143L Eaton 808078 Euclid E-5494	Leland L-2967 Meritor R607109 Midland Spicer 17-461
					Camshaft Kit B8684	Batco 04-731941 BWP M-3143R Eaton 808079 Euclid E-5495	Leland L-2966 Meritor R607110 Midland Spicer 17-460
C496L		23-3/4"	21-7/16"	2-5/32"	"ES"	Batco 04-732362 BWP M-3144L Eaton 806654 Euclid E-5496	Leland L-2969 Meritor R607107 Midland Spicer 17-463
					Camshaft Kit B8684	Batco 04-732361 BWP M-3144R Eaton 806655 Euclid E-5497	Leland L-2968 Meritor R607108 Midland Spicer 17-462
	C495R						
	C497R						



1-1/2" Dia. - 28 Spline

LH	RH	A	B	C	NOTES	REPLACES	
C057L		19-1/2"	2-5/32"	-	"ES"	Batco BWP Eaton 810538 Euclid E-9057	Leland Meritor Midland CS41480 Spicer
					Camshaft Kit B8684	Batco BWP Eaton 810539 Euclid E-9058	Leland Meritor Midland CS41481 Spicer
C059L		23-3/4"	2-7/32"	-	"ES"	Batco 04-742362 BWP M-3131L Eaton 810025 Euclid E-9059	Leland L-3203 Meritor R607113 Midland CS41482 Spicer 17-473
					Camshaft Kit B8684	Batco 04-742361 BWP M-3131R Eaton 810026 Euclid E-9060	Leland L-3202 Meritor R607114 Midland CS41483 Spicer 17-472
	C058R						
	C060R						